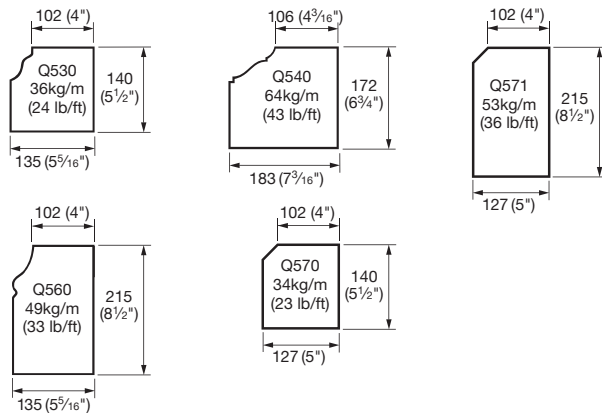


ARCHITECTURAL STONEMWORK PLINTHS, STRING COURSES & DETAILS

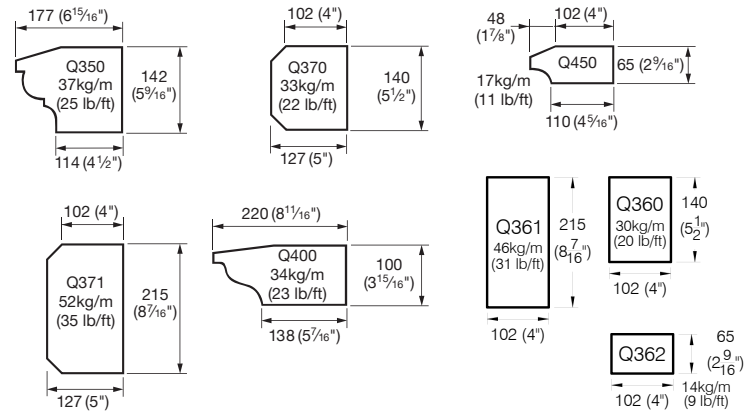
Plinth Courses

The five standard designs illustrated are available in lengths shown in the price list. Plinth courses can also be produced to individual requirements. The Q540 plinth course matches the S120G pier base.



String Courses

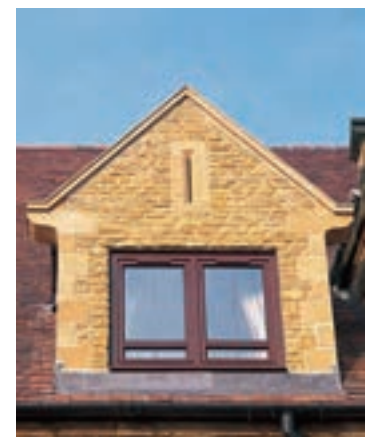
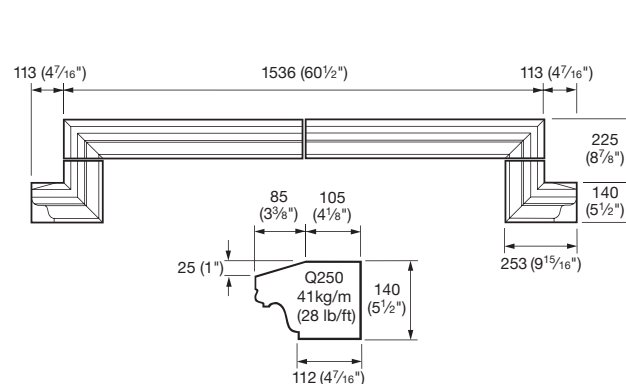
Five standard designs are available in lengths shown in the price list. String courses can also be produced to individual requirements.



Hood Mould Q250

Hood moulds can be made for both new and restoration work. This hood mould has been designed to suit British Standard nominal brick size including joint of 225mm x 112.5mm x 75mm (8 7/8" x 4 7/16" x 2 15/16") and can be supplied in maximum 865mm (34 1/16") lengths to fit any structural opening.

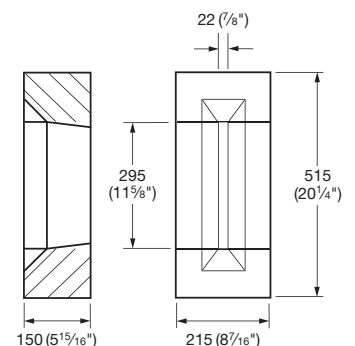
Supporting lintels must be used as these hood moulds are not structural members.



House gable showing special vent, corbels and copings.

Gable Vent Q680

This architectural feature is normally used in the gable end of a house.



Weight: 31kg (68 lb)